



GENERATORS

www.vipergen.co.za

Kwa-Zulu Natal
134 Shepstone Road
New Germany, 3610
Tel: 031-705 4104
Fax: 031-705 4542

Gauteng
75 Watt Street
Meadowdale, 1614
Tel: 011-974 0400
Fax: 011-974 0554

Model: 1600AMP ATS WITH SYNC CONTROLLER

ATS DATA

Model	ATS-1600	IP Rating	IP20
Current (A)	1600	Rated making capacity	10le
Switch Model	SKT1-1600A	Rated breaking capacity	8le
Control Model	HAT560N	Rated SCC	18
Rated insulation (Ui)	1000V	Transferring time I-II or II-I	1.2s
Withstand Voltage (Uimp)	8KV	Control power supply voltage	AC220V (DC24V)
Rated work voltage (Ue)	AC-380V / AC- 440V	Control Voltage (Start/Norm)	400W & 90W

OVERALL DIMENSIONS & WEIGHT

ATS Size (mm) (L x W x H)	850 x 850 x 1900
Net Weight (kg)	180

KEY FEATURES

1. Sheet steel lockable enclosure with hinged door
2. Removable base gland plate for cable entry/exit on all ratings
3. Voltmeter (0-500) across L1-I 2 on load output
4. Load transfer push buttons
5. Led indicators for "mains on load and generator on load"
6. Battery charger standard equipped
7. HAT560 control panel standard equipped except built-in ATS
8. Suitably rated earth bar



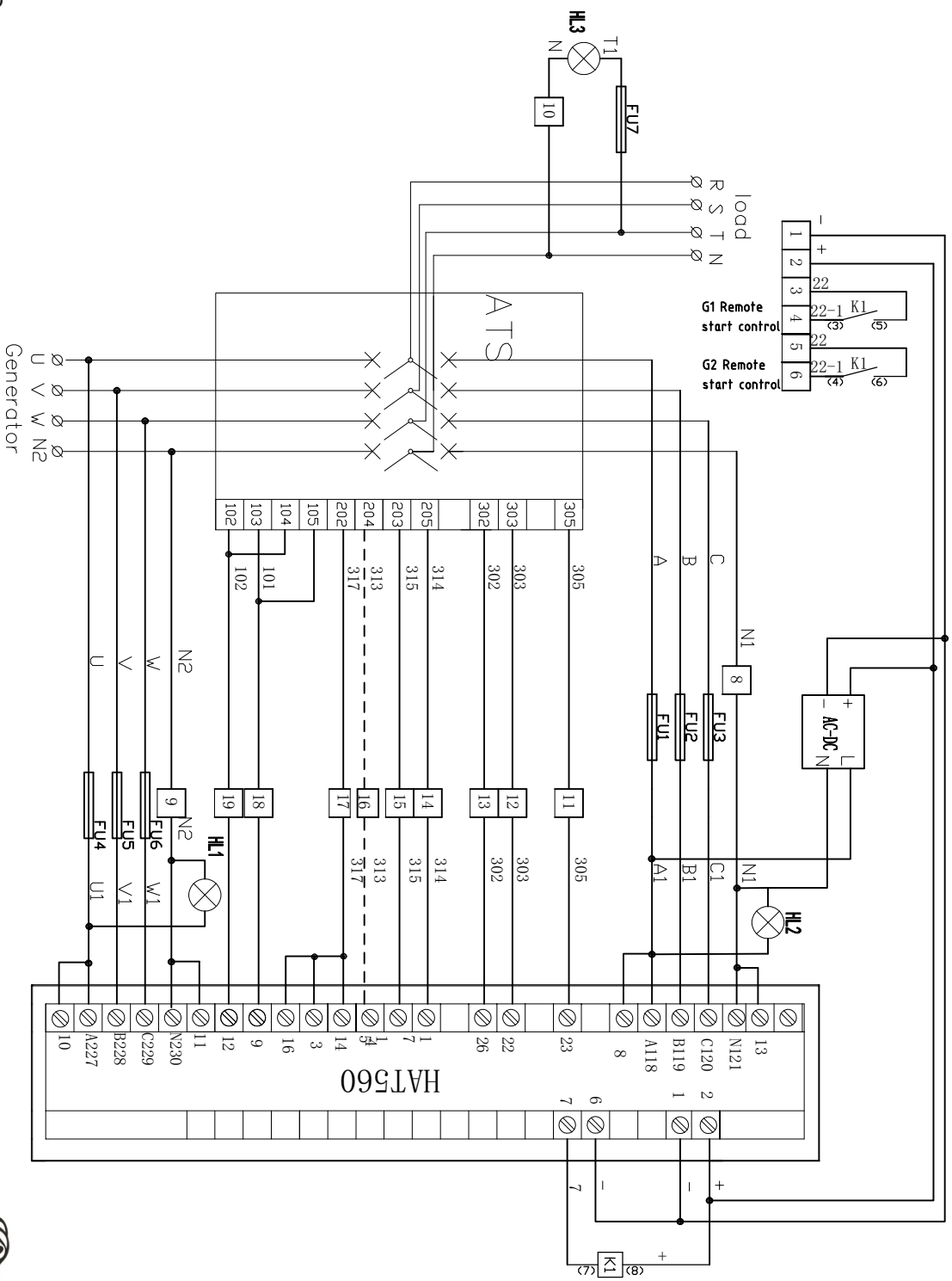
STANDARD CONTROL SYSTEM

The standard control system is based on the advanced smartgen HAT560N Electronic Digital Controller.

This provides for the manual and automatic remote start of generator with a LCD digital display of:

1. Comprehensive Monitoring
2. Protection Mechanisms
3. Communication Interface
4. Event Logging
5. Scheduling and Priority Control
6. Versatile System Support
7. Wide Input Range
8. Temperature Range





HL1: RED
 HL2: GREEN
 HL3: YELLOW
 K1: GEN START

191CGATSSYNC01 -
 1600AMP ATS WITH SYNC CONTROLLER

